



USMANI

TUBES & VALVES CO. PVT. LTD



FS GATE VALVES API 600
Class 800 / 150 / 300 / 600



FS GATE VALVES API 602
800 SCREWED END
SOCKET WELD
FLANGED END

True Definition of Safety & Reliability

Manufacturers Of Industrial Valves

www.usmanivalve.com

USMANI TUBES & VALVES CO. PVT. LTD.



FORGED GATE VALVE CLASS 800/150/300/600 SCREWED / SOCKET WELD / FLANGED

MATERIAL SPECIFICATIONS

NO.	Part Name	Material		
1.	Body	A 105	F 304	F 316
2.	Bonnet	A 105	F 304	F 316
3.	Wedge	13%Cr	T304	T316
4.	Seat	13%Cr	T304	T316
5.	Spindle	T410	T304	T316
6.	Gland Bush	T410	T304	T316
7.	Gland Flange	A 105	F 304	
8.	Yoke Nut	ASTM A 439 Gr.D2/ AL- BRONZE		
9.	Hand Wheel	CAST STEEL		
10.	Hand Wheel Nut	Gr. 2H		
11.	Collar Bolt/ Stud & Nut	B7/ 2H	B8/ 8 OR B7/ 2H	
12.	Eye Bolt & Nut	B7/ 2H	B8 / 8	
13.	Gasket	SPW S.S 304/316 WITH CAF/GRAFOIL		
14.	Gland Packing	GRAPHITE ASBESTOS INHIB. & INCONEL WIRE REIN.		
15.	Screw / Rivet & Washer	STEEL		
16.	Bearing Washer	HARDENED STEEL	T304	T316
17.	Name Plate	ALUMINUM /SS		

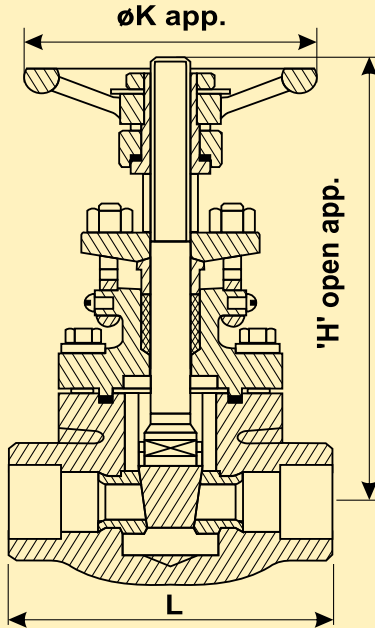


FIG:U-86FX

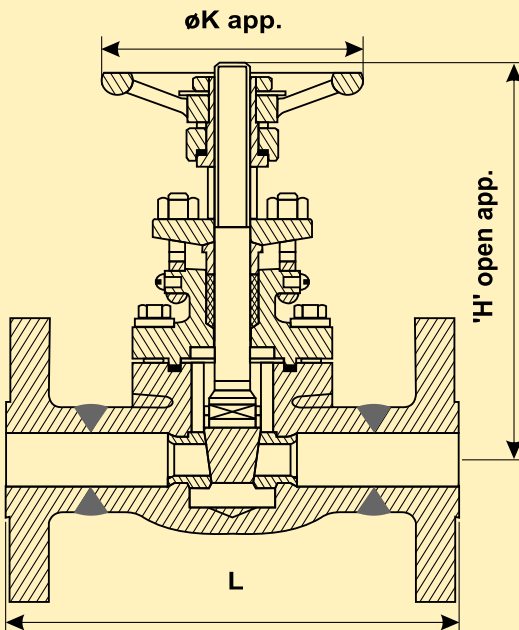


FIG:U-31NX U-33NX U-36NX

DIMENSION TABLE - 800 CLASS - REDUCED BORE

Valve Size in mm	0.25 08	0.37 10	0.5 15	0.75 20	1 25	1.5 40	2 50
L	3.3 85	3.3 85	3.3 85	3.5 90	4 103	5 128	5.6 142
H' app	165	165	165	175	215	270	285
øK app	95	95	95	95	105	150	150
øP	6.4	6.4	9.5	12.7	17.5	28.6	36.5
Wt. kg app	2.0	2.0	2.0	2.5	3.5	7.5	9.0

DIMENSION TABLE - 800 CLASS - FULL BORE

Valve Size in mm	0.25 08	0.37 10	0.5 15	0.75 20	1 25	1.5 40
L	3.3 85	3.3 85	3.5 90	3.5 90	4 103	5 128
H' app	165	165	175	175	220	270
øK app	95	95	95	95	105	150
øP	6.0	9.0	12.0	18.0	23.0	36.0
Wt. kg app	2.0	2.0	2.5	3.5	7.5	7.5

REF STANDARDS

MFG. AND DESIGN :BS 5352/API 602
FACE TO FACE : MG STD. / ASME B16.34
INSPECTION AND TESTING:AP1 598/BS 6755

DIMENSION TABLE 150 CLASS DIMENSION TABLE 300 CLASS DIMENSION TABLE 600 CLASS

TESTING DETAIL # 800

Hydrotest {KG/CM ² }	
Shell	141 K.g.
Seat and Back Seat	210 K.g.
Seat Air Test :	7 K.g.

Valve Size in mm	0.5 15	0.75 20	1 25	1.5 40	Valve Size in mm	0.5 15	0.75 20	1 25	1.5 40	Valve Size in mm	0.5 15	0.75 20	1 25	1.5 40
L	4.25 108	4.6 117	5 127	6.5 165	L	5.5 140	6.0 152.5	6.5 165	7.5 190.5	L	6.5 165	7.5 190.5	8.5 216	9.5 241
H' app	165	175	215	270	H' app	165	175	215	270	H' app	165	175	215	270
øK app	95	95	105	150	øK app	95	95	105	150	øK app	95	95	105	150
Wt. kg app	3.0	4.5	6.0	10.0	Wt. kg app	4.0	5.0	7.5	13.5	Wt. kg app	4.5	5.5	8.5	17.5